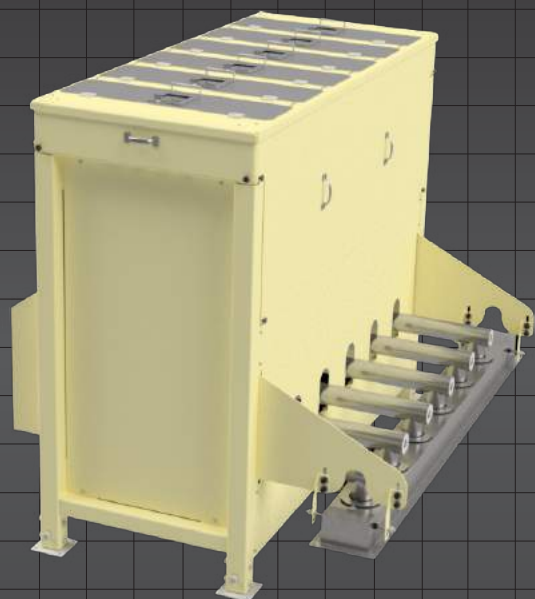


LOSS-IN-WEIGHT MICRO INGREDIENT SYSTEM

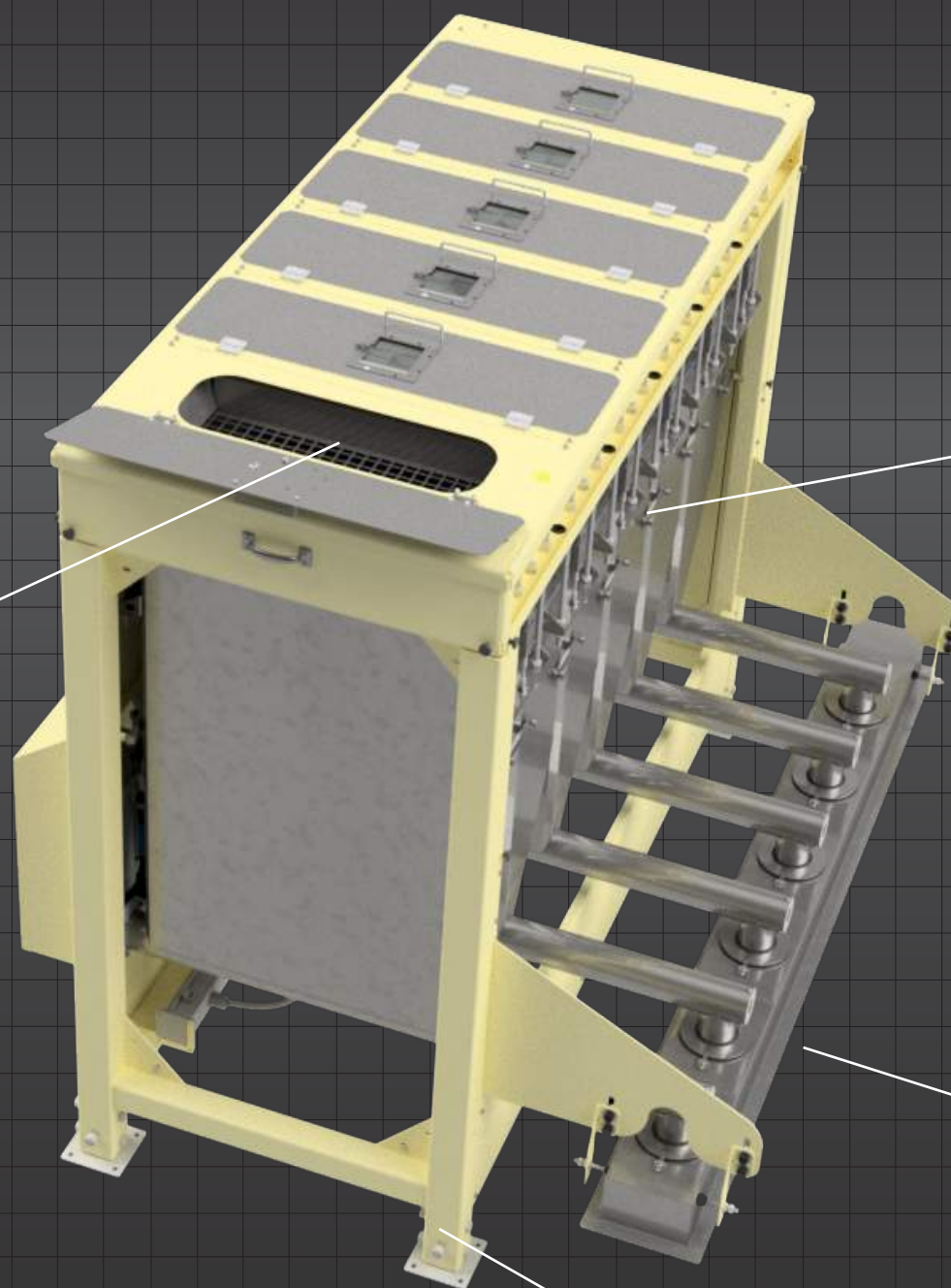
EAI's Loss-in-weight industrial microsystem is built for speed and accuracy. Available in 2, 4, and 6 bin configurations with the option of combining as many systems as you need gives you endless capacity. All of the bins can be operated and used simultaneously. This system allows for real-time inventory levels in every bin for record keeping purposes. For contamination prevention this system can be mounted directly above a mixer.

SAFETY FEATURES

System is enclosed to isolate any scale movement. It comes preassembled with the option of it being prewired also.



Screens for ingredient consistency.



Hanging S shape load cell allows for extreme accuracy and reliability.



LID CLOSED SENSOR

Sensor to verify cover is closed so product isn't being loaded while in use.



OPTIONAL PLATFORM AND STAIRS ARE AVAILABLE

Leg height is adjustable.

VARIABLE PITCHED AUGERS

Flighting is varied to keep bin contents level throughout the entire emptying process.

