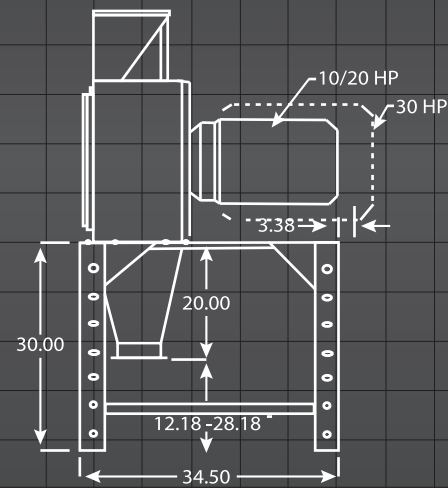
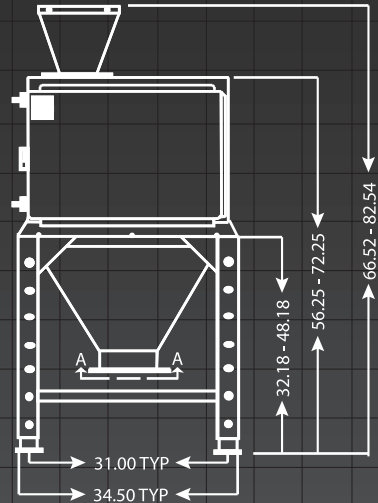


EZ GRIND

STANDARD DIMENSIONS



GRINDING

ACCEPTS 18" SCREENS
IN GRINDING CHAMBER

MOTOR HORSEPOWERS AVAILABLE:
10 HP, 20 HP, 30 HP

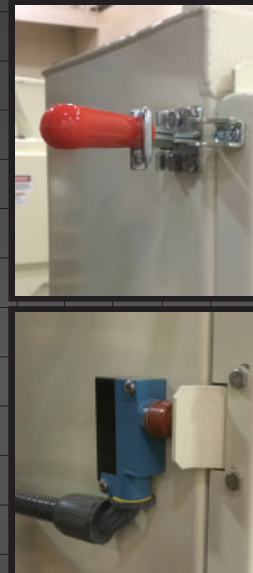
SCREEN SIZES AVAILABLE TO
MATCH ANY GRINDING REQUIREMENTS

This patented design provides uniform particle size while reducing wear on hammers and screens. Materials are distributed evenly into the grinding chamber and into the hammers. The EZ Grind is built to ensure years of trouble-free operation.

CENTER FED HUB

The center feeding allows even wear of hammers and screens.

HEAVY DUTY LATCHES



DOOR SAFETY SWITCH

Shuts down motor if door is removed to protect the operator.

SPRING-LOADED DOOR

Secures screen to prevent slippage and eliminate leakage.

RUGGED STAND WITH ADJUSTABLE LEGS

HINGED DOOR FOR QUICK AND EASY ACCESS

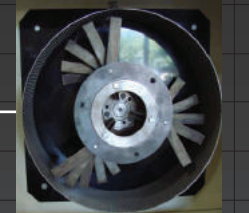
POWERFUL MAGNET

Catches any metal debris that gets into the chute.

THERMOSTAT

Located behind the grinding mechanism prevents overheating

INSIDE VIEW



HEAVY DUTY HUB
WITH 20 HARDENED
STEEL HAMMERS



APPROXIMATE CAPACITY IN POUNDS PER HOUR

Based on Dry Stored Grain

SCREEN MESH DIAMETER	CORN			WHEAT		
	Horsepower			Horsepower		
	5	10	20	5	10	20
3/32"	2,000	4,000	8,000	2,200	4,400	8,800
1/8"	2,500	5,000	10,000	2,600	5,200	10,400
5/32"	3,000	6,000	12,000	3,000	6,000	12,000
3/16"	3,500	7,000	14,000	4,300	8,600	17,200
7/32"	4,000	8,000	16,000	N/A	N/A	N/A
1/4"	4,500	9,000	18,000	N/A	N/A	N/A
5/16"	5,500	11,000	22,000	N/A	N/A	N/A