

Sudenga
INDUSTRIES, INC.

ULTRA SCOOP

PILES OF GRAIN TO PICK UP?

Sudenga has the solution!



Load in 3 minutes with the

ULTRA SCOOP
BY **Sudenga**
INDUSTRIES, INC.

With capacities up to 20,000 bushels per hour, fully load waiting 1,000 bushel trailers in as little as three minutes.

- 40 ft. inclined conveyor
- 16 ft. wide, folding scoop auger
- Easy to mount and dismount

20,000 BPH

"I have run over 60 million bushels and counting through it. The Ultra Scoop has not only impressed me, but my customers as well, with the speed in which we can pick up grain." — Rory Hoffman of Hoffman Grain Services, Nebraska

www.sudenga.com



The Ultra Scoop features a 16 foot wide scoop with a 6 foot detachable wing that folds for legal highway transport.

ULTRA SCOOP

BY **Sudenga**
INDUSTRIES, INC.

HYDRAULIC
POWER RAISES,
LOWERS AND
ROTATES SPOUT



16 foot scoop



The 5/16 flighting runs on oil-impregnated wood block hanger bearings.



A heavy duty 4-blade "flapper" at the transition to the incline conveyor force feeds the conveyor for maximum capacities.



Chain drive is designed for strength and simplicity.

40 FOOT CHAIN CONVEYOR FEATURES LINERS AND HEAVY DUTY CHAIN

ULTRA SCOOP WEIGHT: 15,500 LBS.

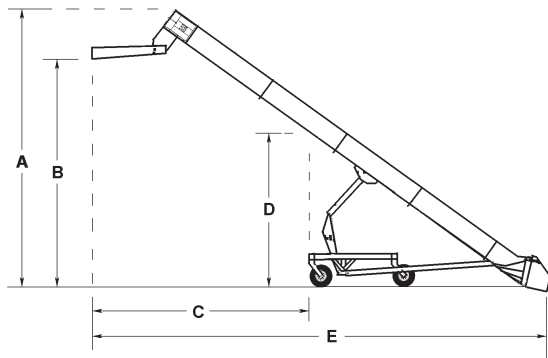


Three-wheel transport provides an exceptionally low transport height.

Tractor requirements

The distance from the 3-point hitch pins to the leading edge of the front tires can be up to 216" (18 ft.) maximum. The distance from the center of the PTO shaft to the end of the outside axle can be up to 60" maximum.

Fits most late model tractors with 150 HP or more; 1,000 rpm PTO



CONVEYOR REACH AND ELEVATION

	In Transport - 12°	23°	36° (shown)
A - Overall height	12' 7"	21' 2"	30' 3"
B - Discharge height	--	14' 1" - 10'	25' - 20' 2"
C - Discharge reach	--	27' 5" - 23' 3"	23' 7" - 20' 5"
D - Secondary height	--	10' 10"	16' 10"
E - Overall length	50' 3"	53' 9" - 49' 8"	49' 5" - 46' 3"

Where two dimensions are given at 23° and 36°, the first is with the spout raised (as shown). The second is with the spout at the lowest angle. In Transport (12°), the overall length is with the spout rotated back under the conveyor.

Sudenga
INDUSTRIES, INC.

1-888-SUDENGA | 1-712-475-3301 | Fax: 1-712-475-3320
PO Box 8, 2002 Kingbird Ave., George, IA 51237 USA
sales@sudenga.com | www.sudenga.com