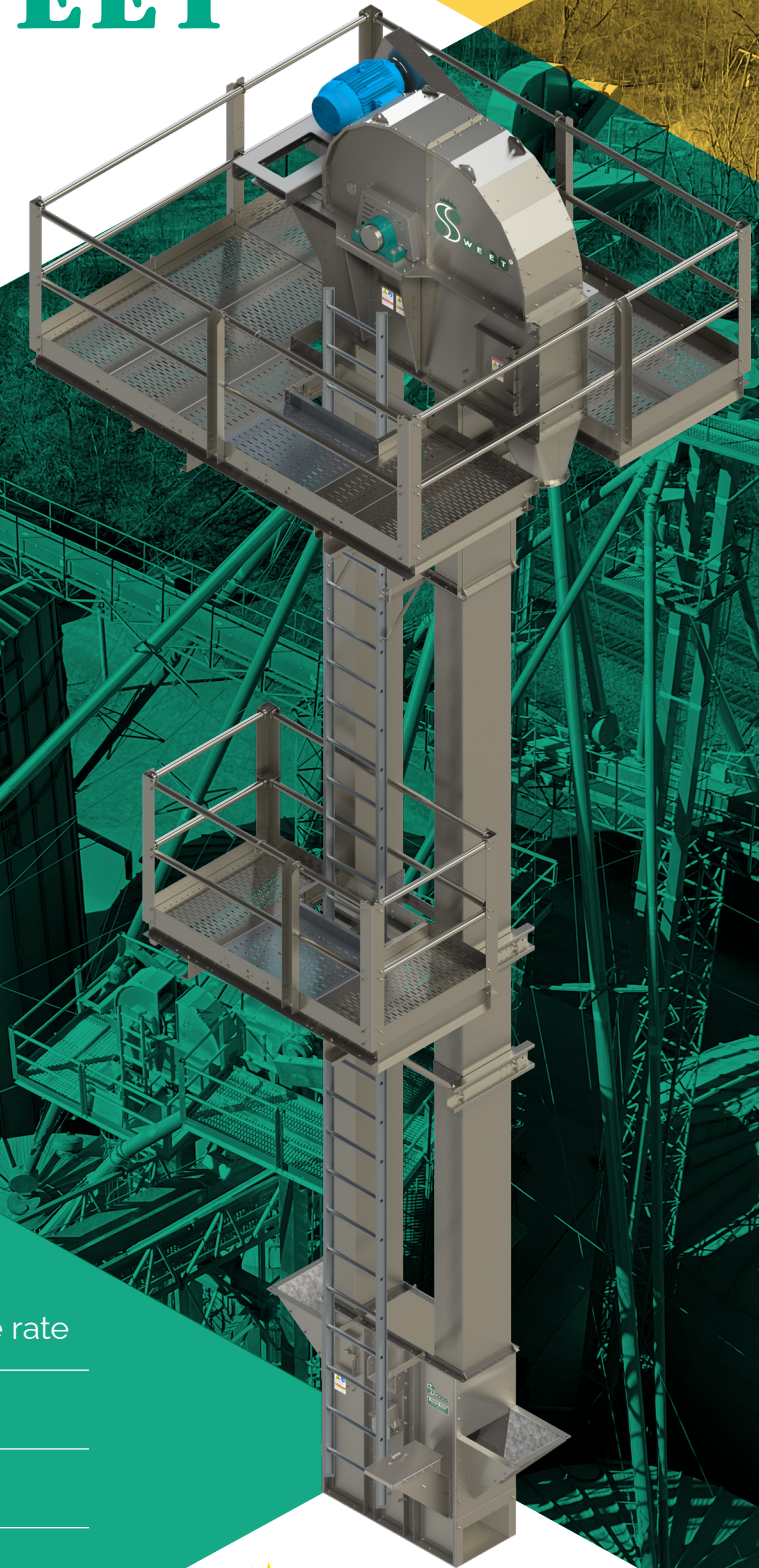


SILVER SWEET[®]

QL SERIES

BUCKET ELEVATOR



Heavy-Duty Design Inspired by Performance

Unique head and boot geometry improves discharge rate

Enhanced robust ladder and platform design

Easy installation and maintenance

Built to last, constructed with G140 USA Prime Steel

SWEET[®]
MANUFACTURING COMPANY



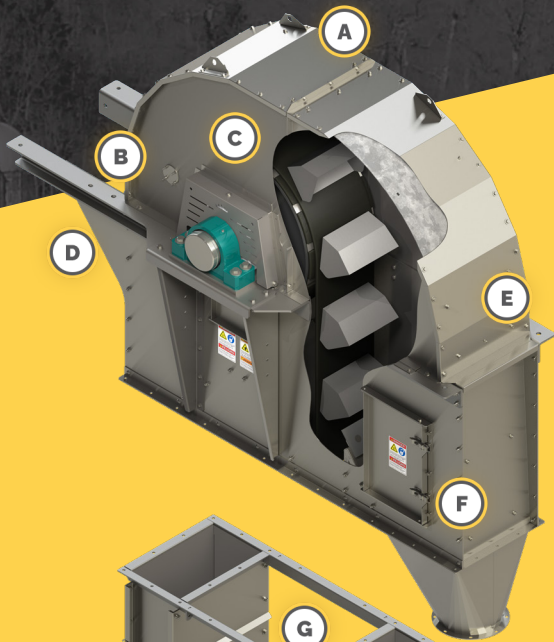
SILVER SWEET®

The Silver-Sweet® Quality Line Bucket Elevator Series is designed to convey bulk materials vertically. With capacities ranging from 400 to 11,925 BPH, our QL Series Bucket Elevators introduce an optimized and efficient design that enhances all features across the board when compared to our legacy line. Our new design emphasizes a G140 USA prime steel construction, head and boot lip seals standard, bigger, heavier-duty access doors, which enhances equipment lifespan, serviceability, and reduces assembly time.



In 1955, W. Dean Sweet coined the term "The Quality Line" to describe our premium product offerings in the market. This proud legacy, with worldwide recognition, is the foundation of our latest innovations which optimize and revolutionize our product line to meet the diverse needs of the market.



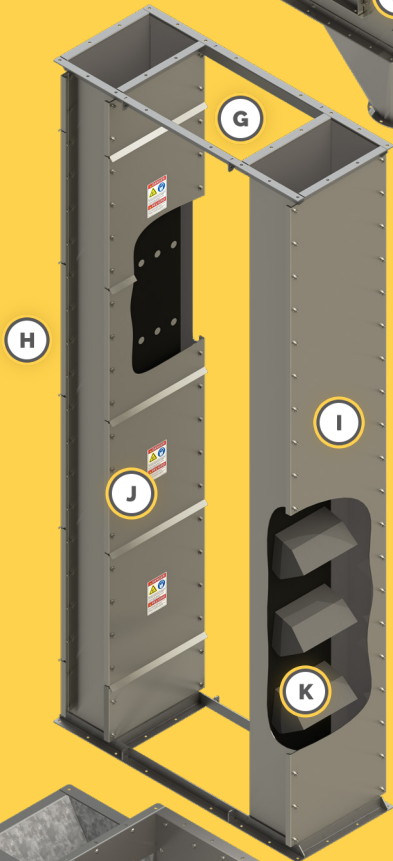


THE HEAD

QL Series - Silver-Sweet® Bucket Elevator

Adaptive design that features fully guarded pillow block bearings with integrated seals to prevent leakage of product and dust, improving equipment and component lifespan.

- A Split Head Design**
Allows the head to be easily serviced while on head service platform.
- B Built-In Sensor Ports**
Belt alignment sensors can be added at anytime.
- C Bearing Cover / Shaft Guard**
Easily accessible for maintenance, repair, or replacements.
- D Motor Mount Base**
- E Improved Head Geometry**
Promotes better discharge performance.
- F Large Service Doors**
Outfitted with service doors on both sides of the head.
Features two heavy-duty latches.



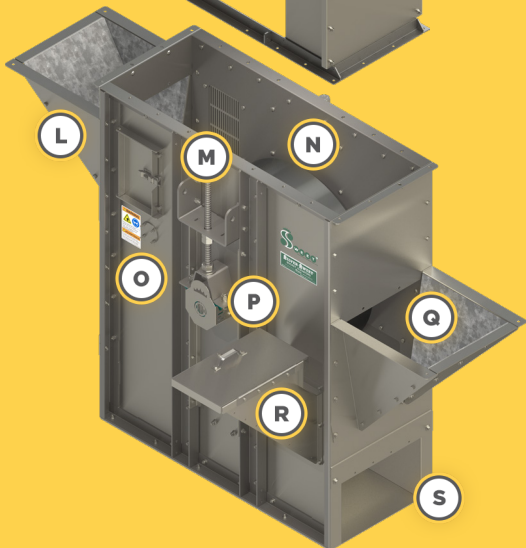
THE CASING

QL Series - Silver-Sweet® Bucket Elevator

Features a unique lockseam design standard, providing structural support at all discharge heights. Available in a bolted design.

- G Galvanized Casing Flanges**
Welded precisely, allowing straight stacking.
- H Rubber Belting**
Static conducting, oil, and fire-resistant belt.
- I Heavy-Gauge Casing**
Lockseam - Welded in precise fixture providing a continuous weathertight seal and cost savings during erection.

Bolted - Available for thicker gauges.
- J Sectional Service Panels**
Easily accessible for bucket maintenance and belt installation or removal.
- K Buckets**
Sweetheart™ Steel Buckets are standard. High-density polyethylene, injection molded nylon, and polyurethane buckets available as options.

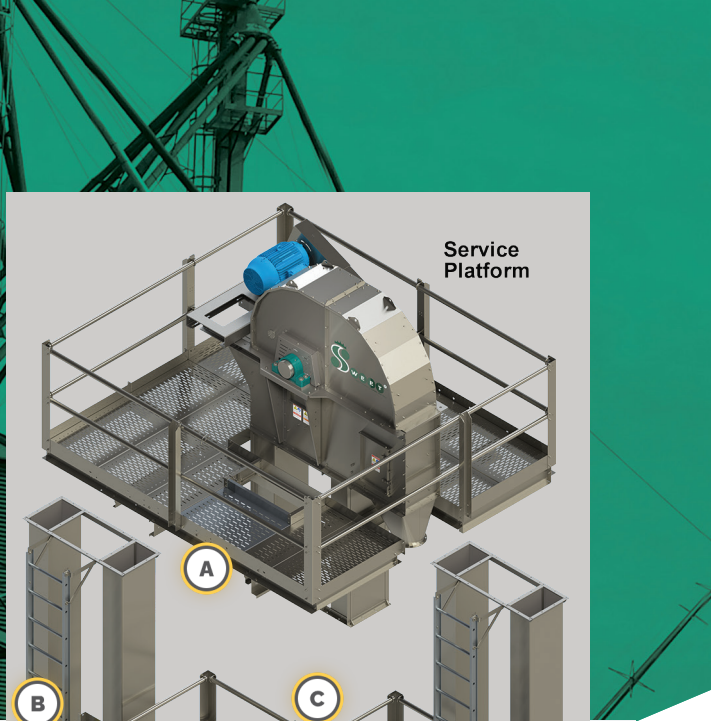


THE BOOT

QL Series - Silver-Sweet® Bucket Elevator

Adaptive modular design that features a taller, heavier construction, with fully guarded bearings to increase equipment lifespan.

- L Inspection Doors**
Features two large inspection doors on Duke and higher models.
- M ACME Take-Up Screws**
- N Improved Boot Geometry**
Increased boot height for improved bucket fill.
- O Built-In Sensor Ports**
Built-in and can be added at anytime.
- P Bearing Weldments**
Wider for a variety of seals, making it easier to remove bearings without obstructing the seal.
- Q Boot Hopper Inlet**
With new geometry, can be placed higher to improve product flow into buckets.
- R Shovel Hopper Ready**
Built-in frame and can be added at anytime.
- S Dual Clean-Out Sides**
Installed on the front and back of the boot, and clean-out trays are easily removeable.

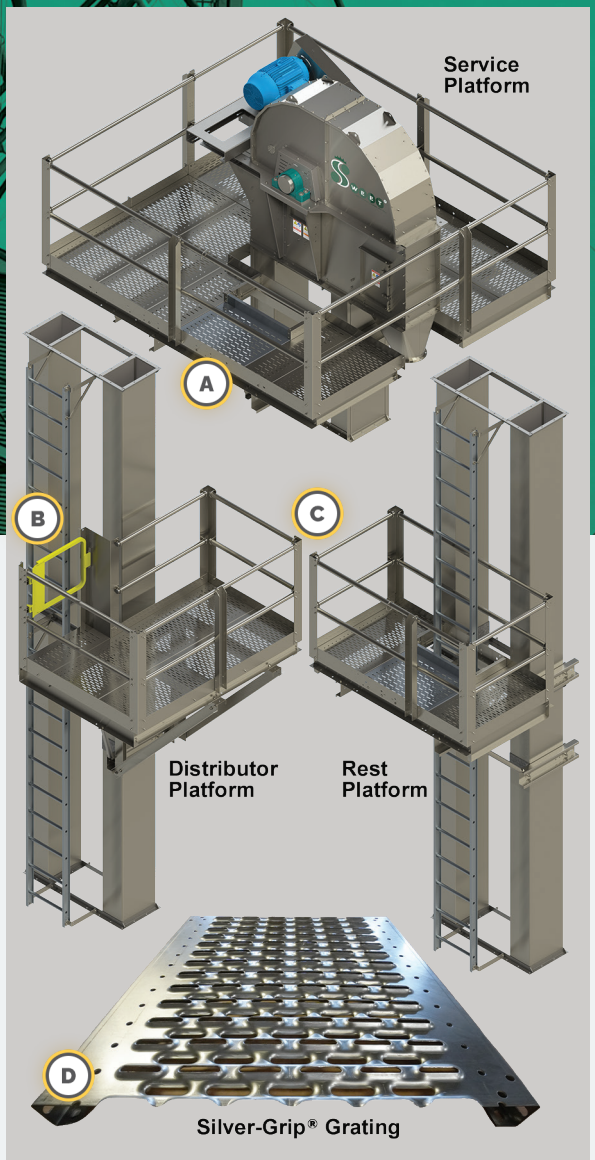


THE PLATFORMS

QL Series - Silver-Sweet® Bucket Elevator

Improved design with safety in mind, featuring a new handrail design and our highest quality Silver-Grip® grating for the platform floor, maximizing traction and rust resistance.

- A Aluminum Access Door**
Lightweight and easily accessible.
- B Swing Gate**
Spring-loaded swing gate included on all distributor platforms.
- C Handrail**
Improved sturdy design with faster and easier assembly.
- D Silver-Grip® Grating**
Slip-resistant, perforated surface, proprietary design.

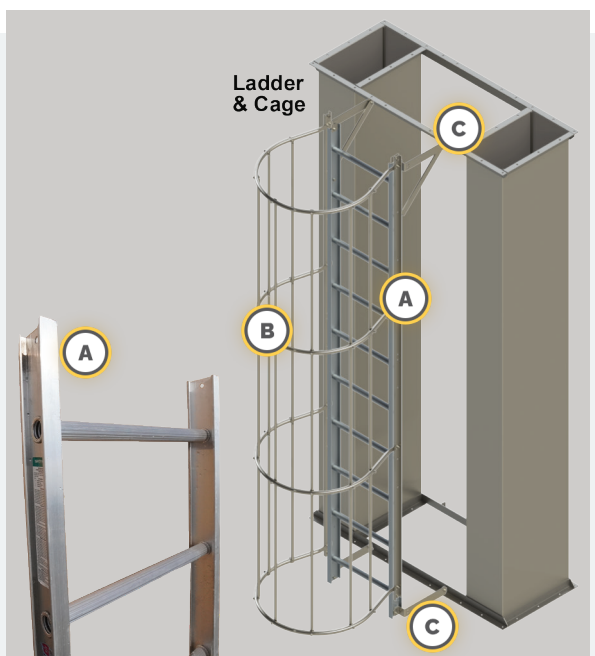


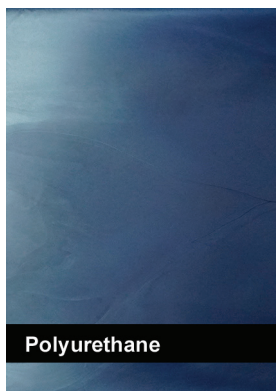
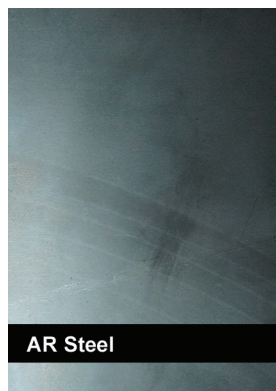
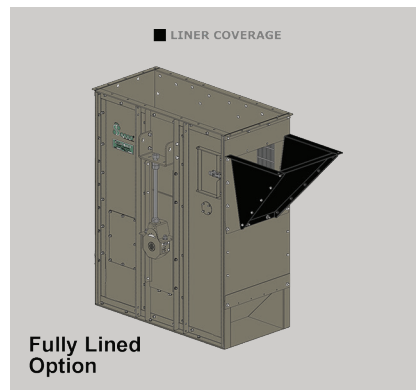
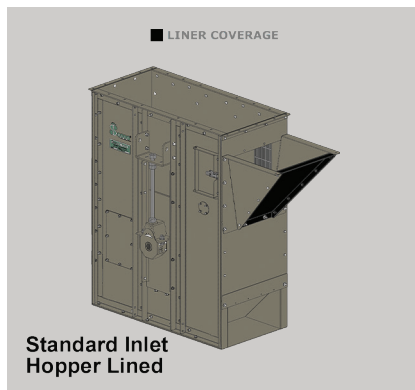
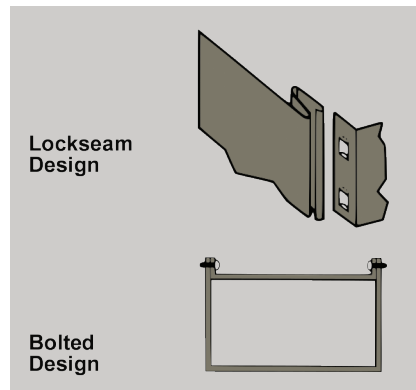
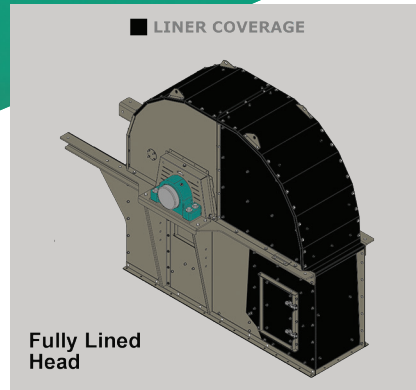
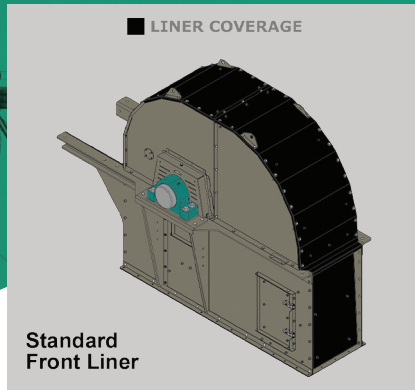
THE LADDER & CAGE

QL Series - Silver-Sweet® Bucket Elevator

Improved design with enhanced stability and clearance. Available in various configurations and lengths.

- A Aluminum Ladder**
Available in 5' and 10' sections.
- B Safety Cage**
Available in 5' and 10' sections and various configurations.
- C Mounting Bracket**
Redesigned for improved stability and better ladder and toe clearance while climbing.





The Head

Standard Front Liner

Features our standard 10 gauge AR200 liners on the front of the elevator head.

Fully Lined Head

Features our standard polyurethane liners on the front and side of the elevator head.

Optional liners are listed in the liner section

Fully lined becomes standard in Ace 1 and Ace 2.

The Casing

Explosion Relief Casing

Optional and available upon request.

Lockseam Design

Standard proprietary design, welded in precise fixture providing a continuous weathertight seal and cost savings during erection.

Bolted Design

Optional for larger gauge metals.

The Boot

Standard Inlet Hopper Lined

Features our standard 10 gauge AR200 liners on the front of the inlet hopper.

Fully Lined Option

Features our standard 10 gauge AR200 liners on the front and side of the inlet hopper.

Optional liners are listed in the liner section

Fully lined becomes standard in Ace 1 and Ace 2.

Liner Options

AR Steel

Available in AR200 in 10 gauge, 3/16", and 1/4" AR400 options are available.

Polyurethane

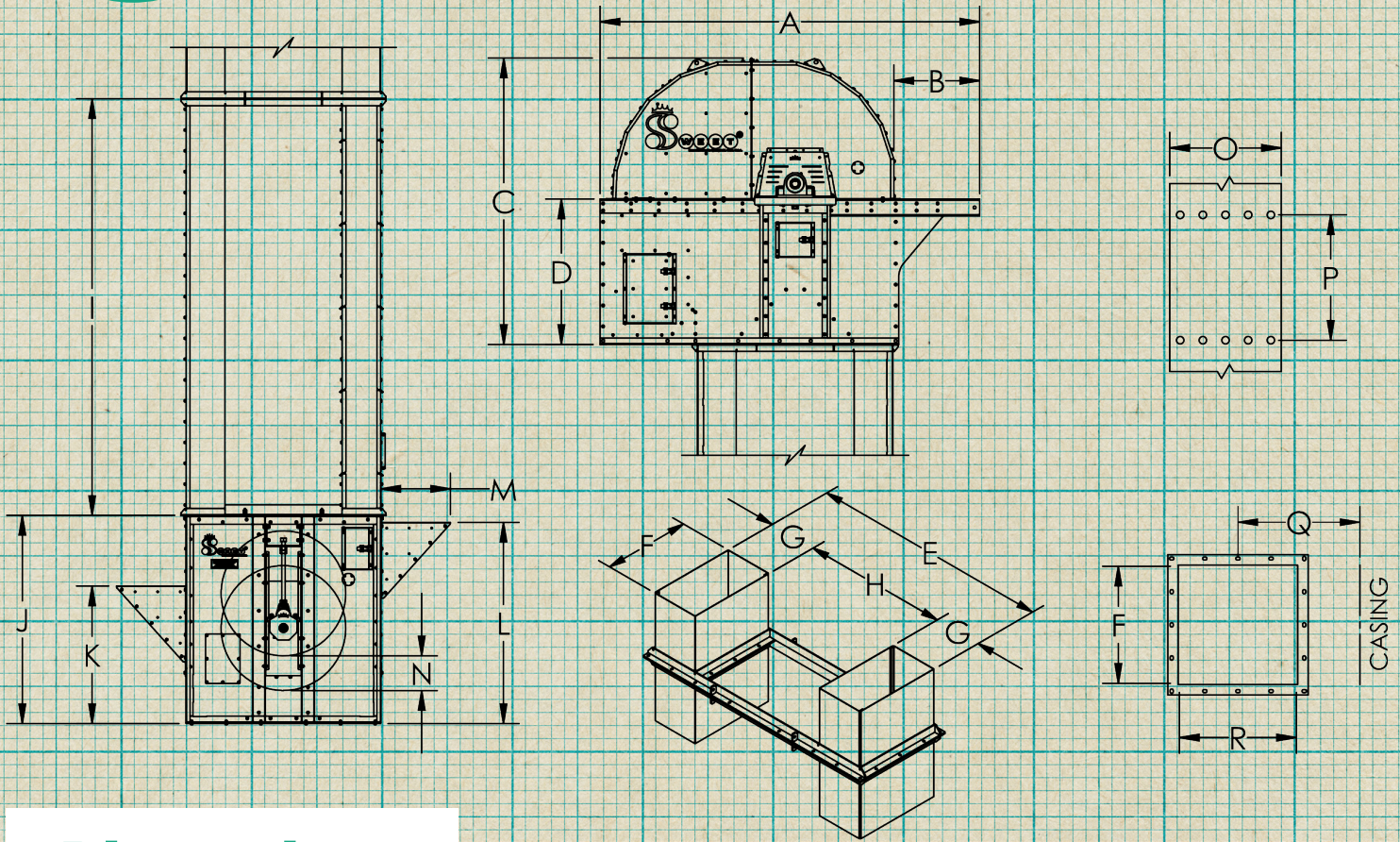
Available in 1/4" expanded metal back.

Ceramic

Available in 1/4" ceramic tile, or 5/16" ceramic chip polyurethane.



SILVER SWEET®

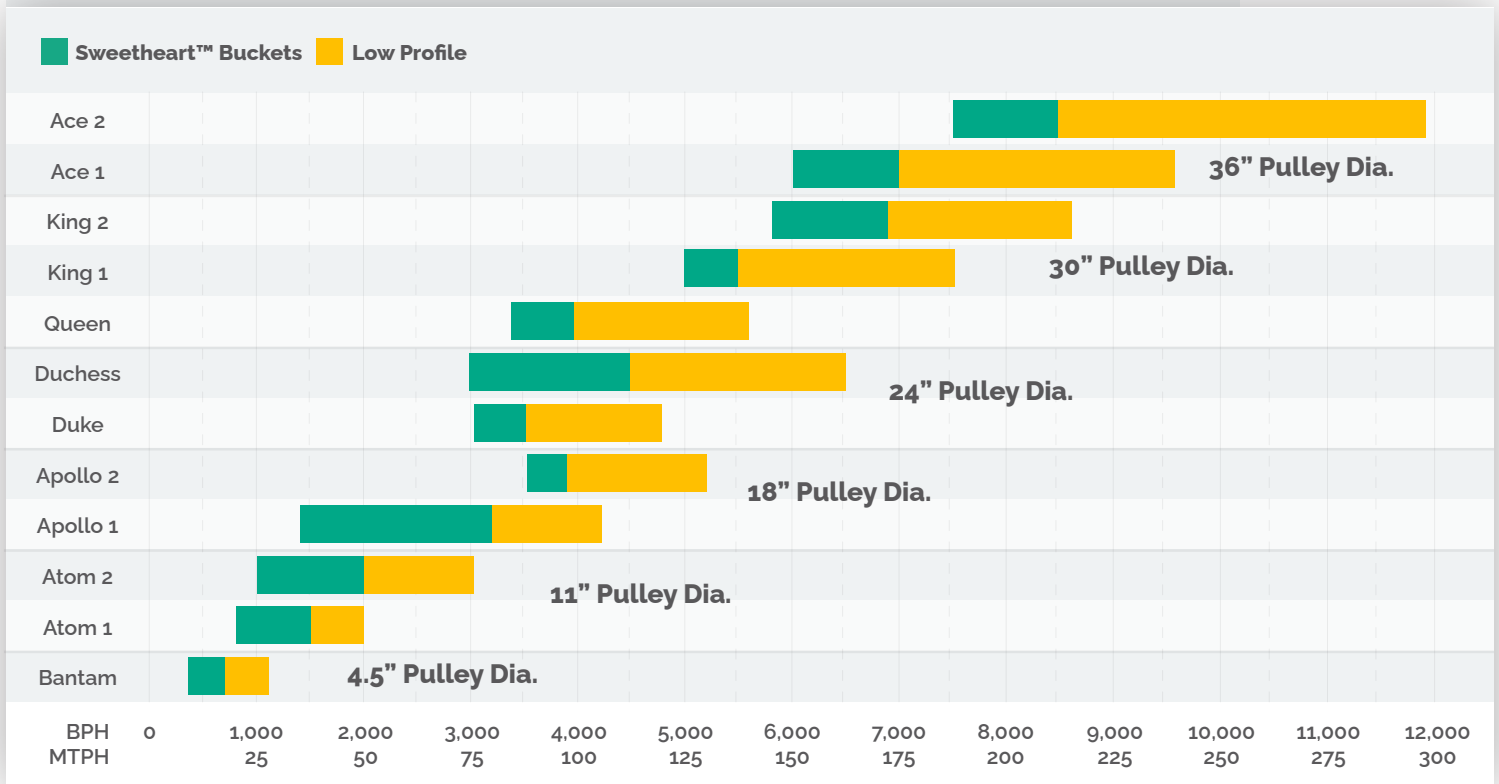


Dimensions

Model	Casing	Box	A	B	C	D	E	F	G	H	I	J	K	L	M	N	O	P	Q	R
Bantam	8 x 16	-	41	11.5	26	13	16	8	-	-	30	30	18	28	11	5	6.5	5	7.5	8
Atom 1	9 x 26	9 x 8	62.5	19.5	45	22.5	26	9	8	10	72	48	29.5	45	17	10	7	6	11	9
Atom 2	12 x 26	12 x 8	62.5	19.5	45	22.5	26	12	8	10	72	48	29.5	45	17	10	10	6	11	9
Apollo 1	12 x 34	12 x 9	75.5	19.5	54	28	34	12	9	16	72	48	31.5	45	17	10	10	6	14	12
Apollo 2	14 x 34	14 x 9	75.5	19.5	54	28	34	14	9	16	72	48	31.5	45	17	10	12	6	14	12
Duke	14 x 42	14 x 10	91	24.5	63	32.5	42	14	10	22	120	60	39	54	20	10	10	8	15	14
Duchess	17 x 42	17 x 10	91	24.5	63	32.5	42	17	10	22	120	60	39	54	20	10	13	8	15	14
Queen	14 x 48	14 x 10	100	24.5	73	36	48	14	10	28	120	60	41	54	20	10	10	8	17	17
King 1	17 x 48	17 x 10	100	24.5	73	36	48	17	10	28	120	60	41	54	20	10	13	8	17	17
King 2	20 x 48	20 x 10	100	24.5	73	36	48	20	10	28	120	60	41	54	20	10	16	8	17	17
Ace 1	17 x 56	17 x 11	109	24.5	82	42	56	17	11	34	120	60	39.5	58	20	10	13	9	17.5	17
Ace 2	20 x 56	20 x 11	109	24.5	82	42	56	20	11	34	120	60	39.5	58	20	10	16	9	17.5	17

* To the nearest 1/2". Subject to change without notice. Measurements are given in inches.

Bucket Configuration Capacity Range



*Capacity ranges are based on a 45 pcf material of dry grain.
For larger capacity bucket elevators, see our Titan Bucket Elevators.

Capacity Chart

Model	Bucket Size	Belt (FPM)	Pulley (RPM)	Spacing (IN)	Capacity (BU/HR)	Capacity (MTPH)	Discharge Liner	Head Gauge	Boot Gauge	Casing Gauge
Ace 2	15 x 7	581	60	9	7900	198	1/4" poly.	10	10	14"
Ace 1	12 x 7	581	60	9	6100	153	1/4" poly.	10	10	14"
King 2	15 x 6	536	66	8	5875	160	10	12	10	14"
King 1	12 x 6	536	66	8	4650	117	10	12	10	14"
Queen	9 x 6	536	66	8	3450	87	10	12	10	14"
Duchess	12 x 6	465	71	8	4025	101	10	12	10	14"
Duke	9 x 6	465	71	8	3000	75	10	12	10	14"
Apollo 2	11 x 5	473	95	8	3675	92	10	12	12	14"
Apollo 1	9 x 5	473	95	6	2950	74	10	12	12	14"
Atom 2	9 x 5	340	113	6	2125	54	10	12	12	14"
Atom 1	6 x 5	340	113	6	1300	33	10	12	12	14"
Bantam	6 x 4	220	160	5	625	16	-	12	12	14

*Optional heavier gauge available.
All capacities using Sweetheart™ Steel Buckets based on waterlevel bucket fill of 45 lbs/ft³ material of dry grain.
Optional plastic elevator buckets available.





2000 East Leffel Lane
Springfield, Ohio, 45505, USA

(937) 325-1511

sweetmfg.com

MADE IN AMERICA

ONE OF THE COUNTLESS REASONS WHY IT'S SWEET[®].

An extraordinary service experience.

Innovative product solutions made with all galvanized construction with USA prime steel and premium components.

